

4

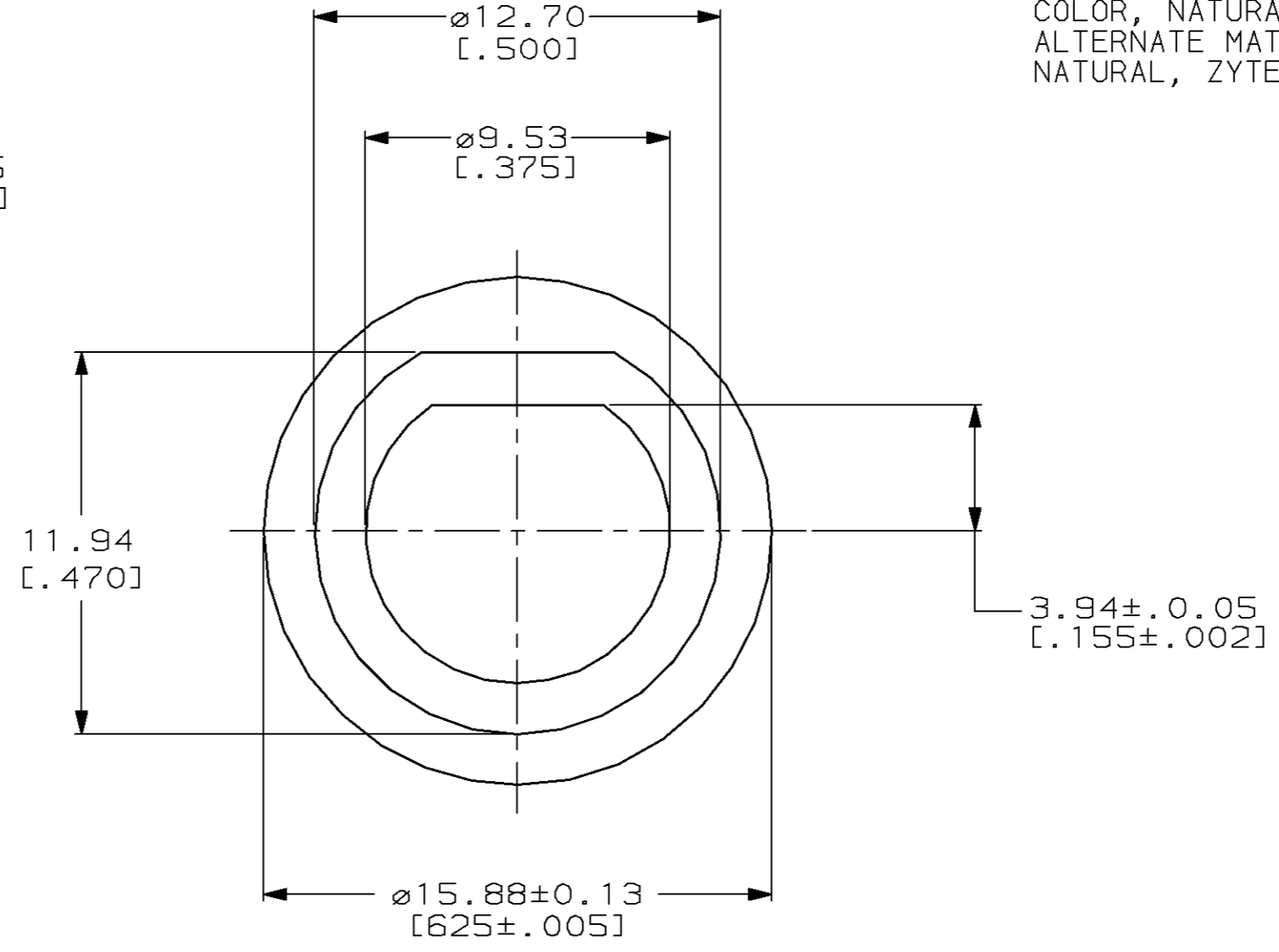
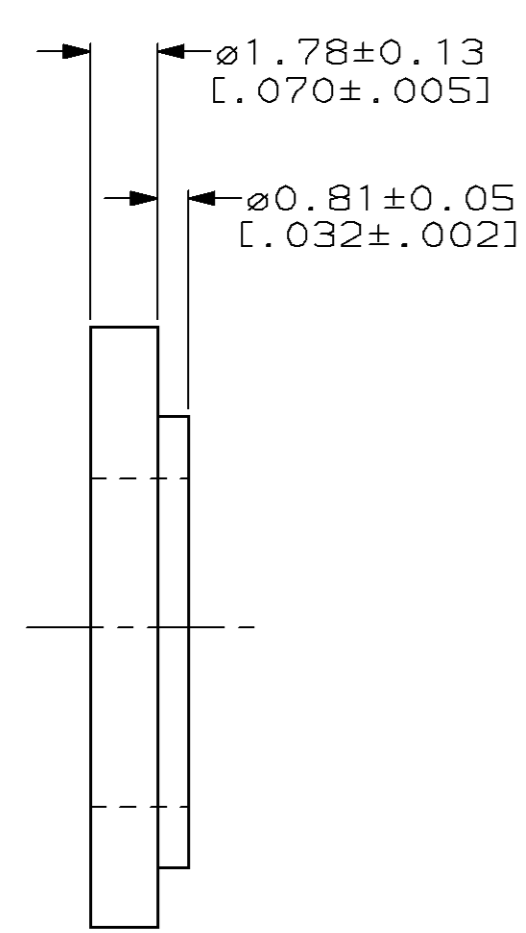
3

2

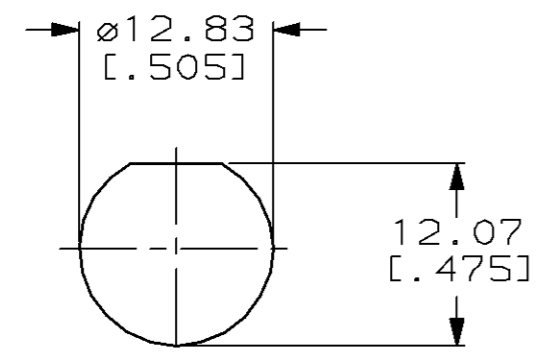
1

THIS DRAWING IS UNPUBLISHED. RELEASED FOR PUBLICATION ,19 .
 © COPYRIGHT 19 BY AMP INCORPORATED. ALL RIGHTS RESERVED.

LOC	DIST	REVISIONS			
P	LTR	DESCRIPTION	DATE	DWN	APVD
	B	REVISED & REDRAWN PER 0220-0226-96	5-10-96	JG	FM



1 MATERIAL: NYLON PER MIL-M-20693.
 COLOR, NATURAL
 ALTERNATE MATERIAL: 23676-1 NYLON,
 NATURAL, ZYTEL 101L



SUGGESTED PANEL CUTOUT
 SCALE 2:1

221951-1
 PART NUMBER

THIS DRAWING IS A CONTROLLED DOCUMENT.		DWN J.L.GROFT 3-10-96	AMP AMP Incorporated Harrisburg, PA 17105-3608
		CHK F.MORANA 3-10-96	
		APVD F.MORANA 3-10-96	NAME
DIMENSIONS: mm [INCHES]		PRODUCT SPEC	BUSHING
TOLERANCES UNLESS OTHERWISE SPECIFIED:		APPLICATION SPEC	
<ul style="list-style-type: none"> 0 PLC ±- 1 PLC ±- 2 PLC ±0.08 [.003] 3 PLC ±- 4 PLC ±- ANGLES ±- 		WEIGHT	SIZE A3
MATERIAL 1		FINISH	CAGE CODE 00779
		CUSTOMER DRAWING	DRAWING NO C-221951
			SCALE 5:1
			SHEET 1 OF 1
			REV B